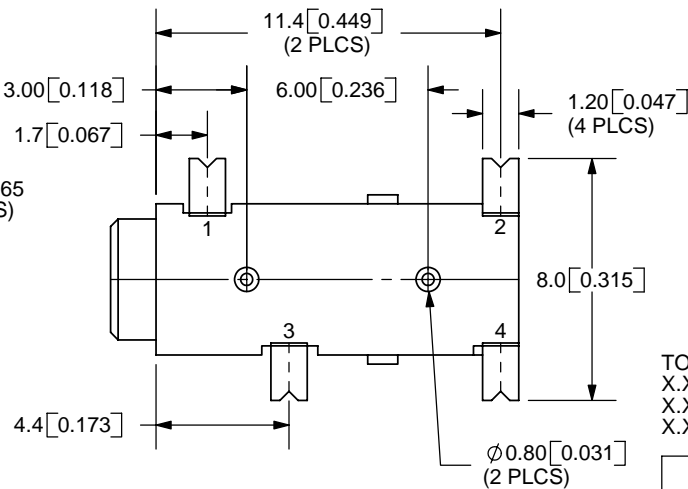
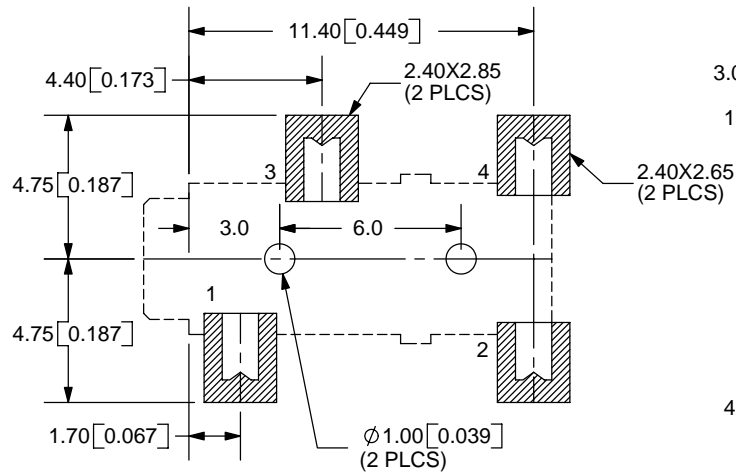
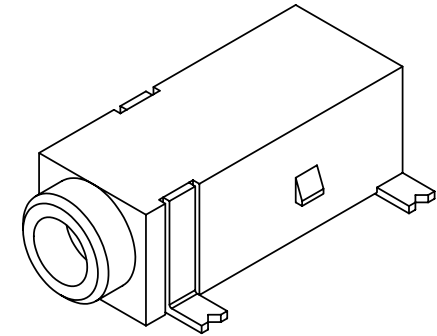
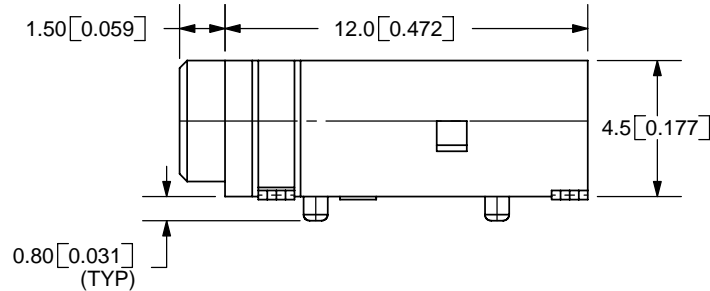
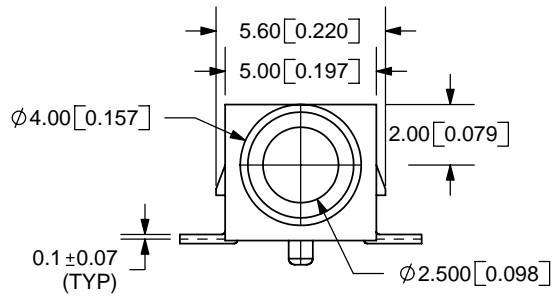


REV.	DESCRIPTION	DATE
A	NEW DRAWING	11/9/2005



TOLERANCE:
X.X ± 0.2mm
X.XX ± 0.1mm
X.XXX ± 0.05mm



PCB LAYOUT
TOP VIEW

MODEL NO.	SJ-2524-SMT
SCHMATIC	

SPECIFICATIONS:
CONTACT RESISTANCE: 30m OHMS MAX
INSULATION RESISTANCE: 50M OHMS MIN: 500V DC
VOLTAGE WITHSTAND: 500V AC R.M.S. FOR 1 MINUTE
LIFE: 5,000 CYCLES

	MATERIAL	PLATING
TERMINAL 1	Copper Alloy	Silver
TERMINAL 2	Copper Alloy	Silver
TERMINAL 3	Copper Alloy	Silver
TERMINAL 4	Brass	Silver
HOUSING	PA6T	



9615 SW Allen Blvd., Ste. 103
Beaverton, OR 97005
Phone: 503-643-4899
800-275-4899
Fax: 503-372-1266
Website: www.cui.com

TITLE:	2.5mm SURFACE MOUNT AUDIO JACK-STEREO	REV:	A
PART NO.	SJ-2524-SMT	UNITS:	MM [INCHES]
DRAWN BY:	ZRJ	APPROVED BY:	
		SCALE:	4:1

PC FILE NAME:
SJ-2524-SMT

COPYRIGHT 2005 BY CUI INC.